

PRESSURE VS TORQUE CONVERSION CHART

TITAN T SERIES TOOLS

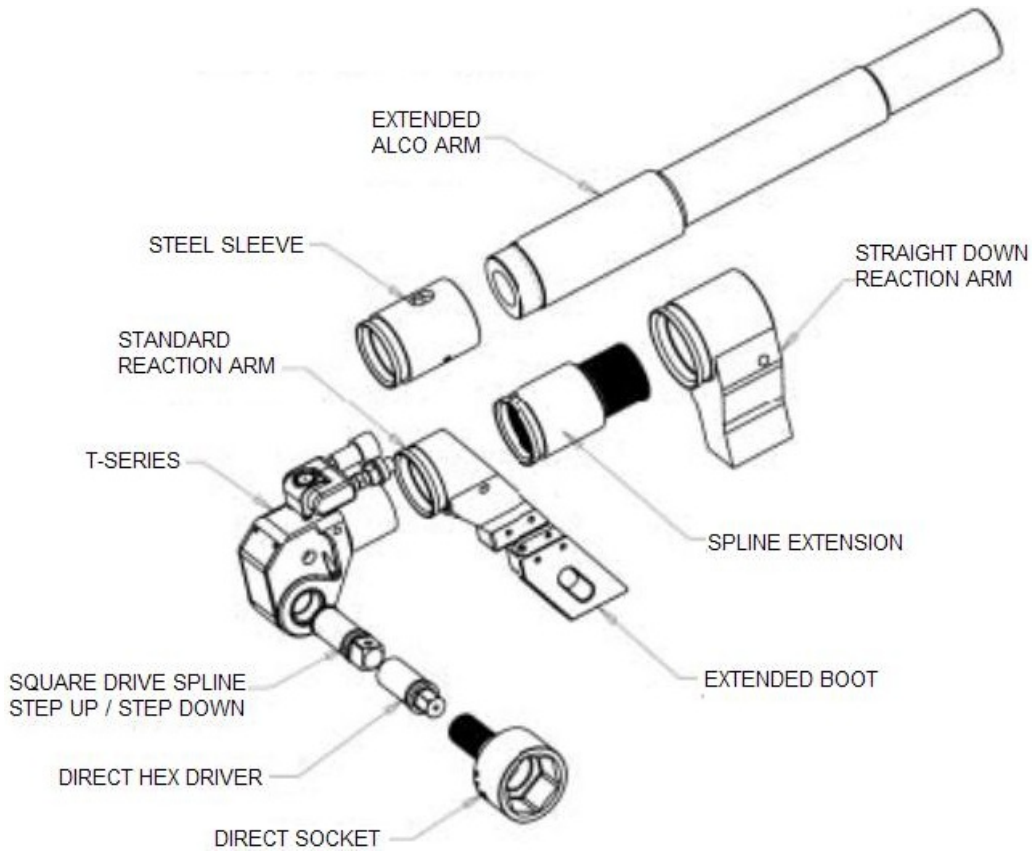
	T - 1	T - 3	T - 5	T - 8	T - 10	T - 25
PUMP PSI Setting	Torque - Ft. Lbs					
1500	197	490	816	1168	1662	3726
1600	210	523	871	1246	1773	4002
1800	236	588	979	1402	1994	4554
2000	271	644	1101	1574	2236	5106
2200	298	708	1212	1731	2460	5626
2400	325	773	1322	1889	2683	6145
2600	352	837	1432	2046	2907	6665
2800	379	902	1542	2204	3130	7184
3000	411	961	1656	2378	3365	7704
3200	438	1025	1767	2537	3589	8221
3400	465	1089	1877	2695	3814	8738
3600	493	1153	1988	2854	4038	9254
3800	520	1217	2098	3012	4262	9771
4000	549	1278	2230	3216	4456	10288
4200	577	1342	2341	3377	4679	10809
4400	604	1406	2452	3538	4902	11330
4600	632	1470	2564	3698	5124	11852
4800	659	1534	2675	3859	5347	12373
5000	686	1592	2790	3990	5588	12894
5200	714	1656	2902	4150	5812	13385
5400	741	1719	3013	4309	6035	13876
5600	769	1783	3125	4469	6259	14366
5800	796	1847	3237	4628	6582	14857
6000	824	1896	3353	4848	6717	15348
6200	852	1959	3465	5010	6941	15834
6400	879	2022	3577	5171	7165	16320
6600	907	2086	3689	5333	7389	16806
6800	943	2149	3800	5494	7613	17292
7000	962	2190	3891	5660	7746	17778
7200	990	2253	4002	5822	7967	18252
7400	1017	2315	4114	5983	8189	18725
7600	1045	2378	4225	6145	8410	19199
7800	1072	2440	4336	6307	8631	19672
8000	1098	2497	4442	6476	8867	20146
8200	1125	2559	4605	6638	9089	20619
8400	1153	2622	4717	6800	9310	21092
8600	1180	2684	4829	6962	9532	21564
8800	1208	2747	4942	7124	9754	22037
9000	1233	2810	5056	7240	10075	22510
9200	1261	2872	5168	7401	10299	22958
9400	1288	2935	5281	7562	10523	23406
9600	1315	2997	5393	7723	10747	23852
9800	1343	3060	5505	7884	10971	24301
10000	1359	3124	5605	8062	11067	24749

Calibrated & Ready to Use • Powerful • Compact • Accurate • Durable • Faster • Light Weight • Efficient

Accessories for the T-Series Tool

- | | |
|----------------------------------|---|
| 1. Extended & Short Reaction Arm | 5. Square & Hex Drive Accessories |
| 2. Square Drives | 6. Hex Stock |
| 3. Direct Socket Drives | 7. Custom Engineered Solutions |
| 4. Power Packs & Hoses | 8. Heavy Duty Sockets from 1" to 9" Hex |

T SERIES ACCESSORIES



POWER PACKS

PNEUMATIC OR ELECTRIC POWERED



PREMIUM **ELECTRIC** W/ OIL COOLER



ULTRA LIGHT **ELECTRIC**



PREMIUM **AIR**



ULTRA LIGHT **AIR**



OLD STYLE W/ - OR W/O OIL COOLER



LARGE "TWIN MOTOR" PUMPS



TWINLINE HOSES W/ 10K FITTINGS